
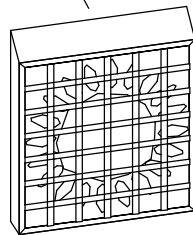
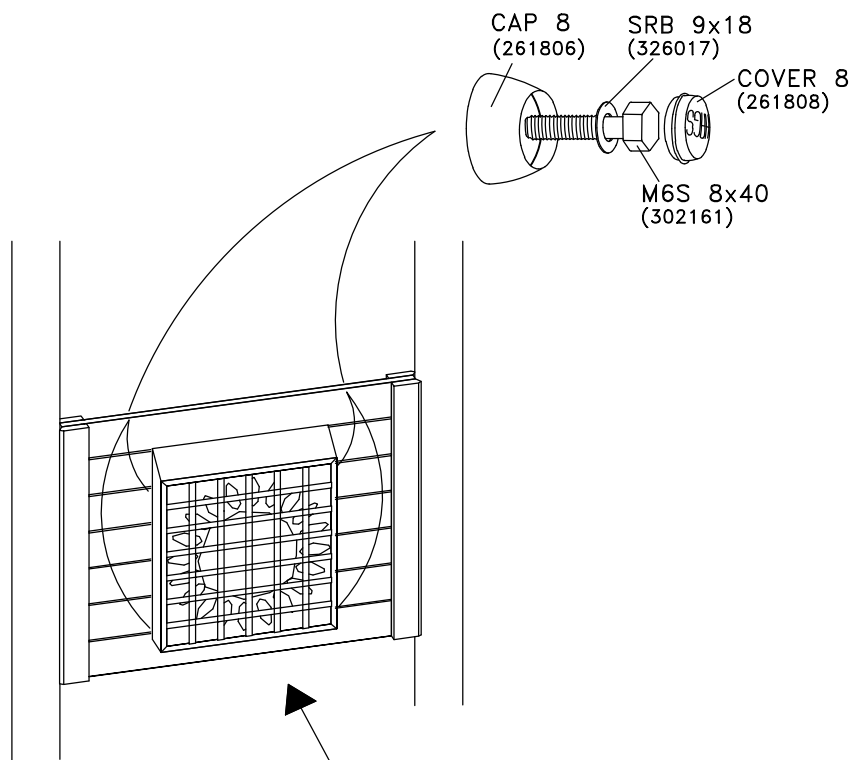




TYPE	HAGS NO.
 0,44x0,51m	410970



<b>HAGS</b>	ANEBY, SWEDEN +46(0)380-47300 www.hags.com
	Picture puzzle 420 970 1(1)
 TJ  LN 2019-03-07 2	