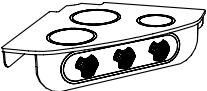

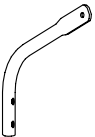

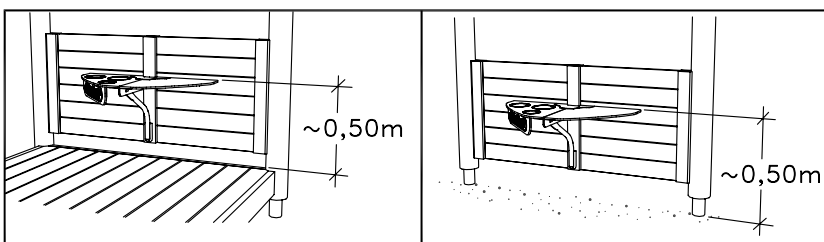
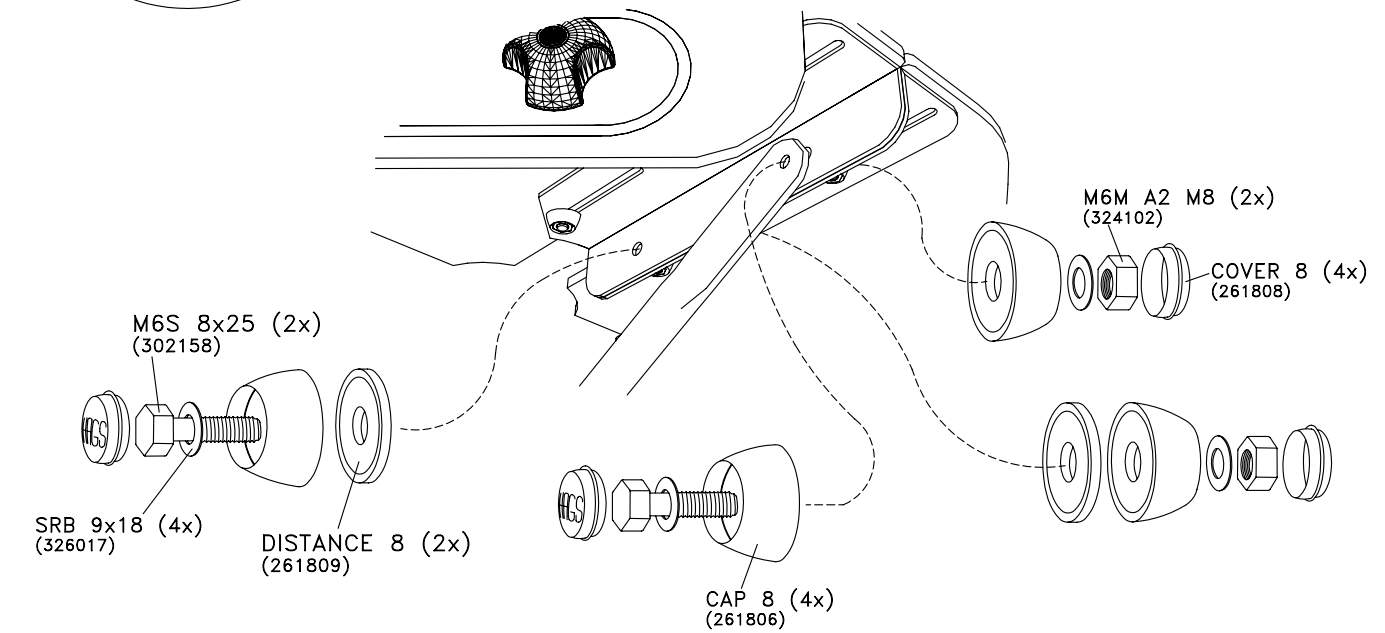
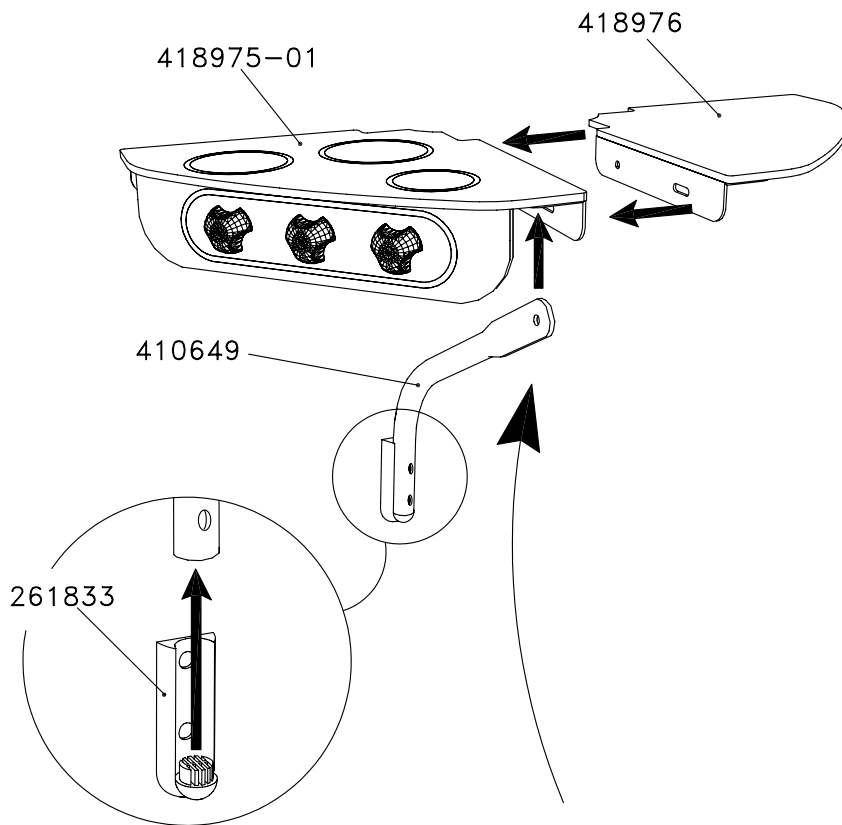




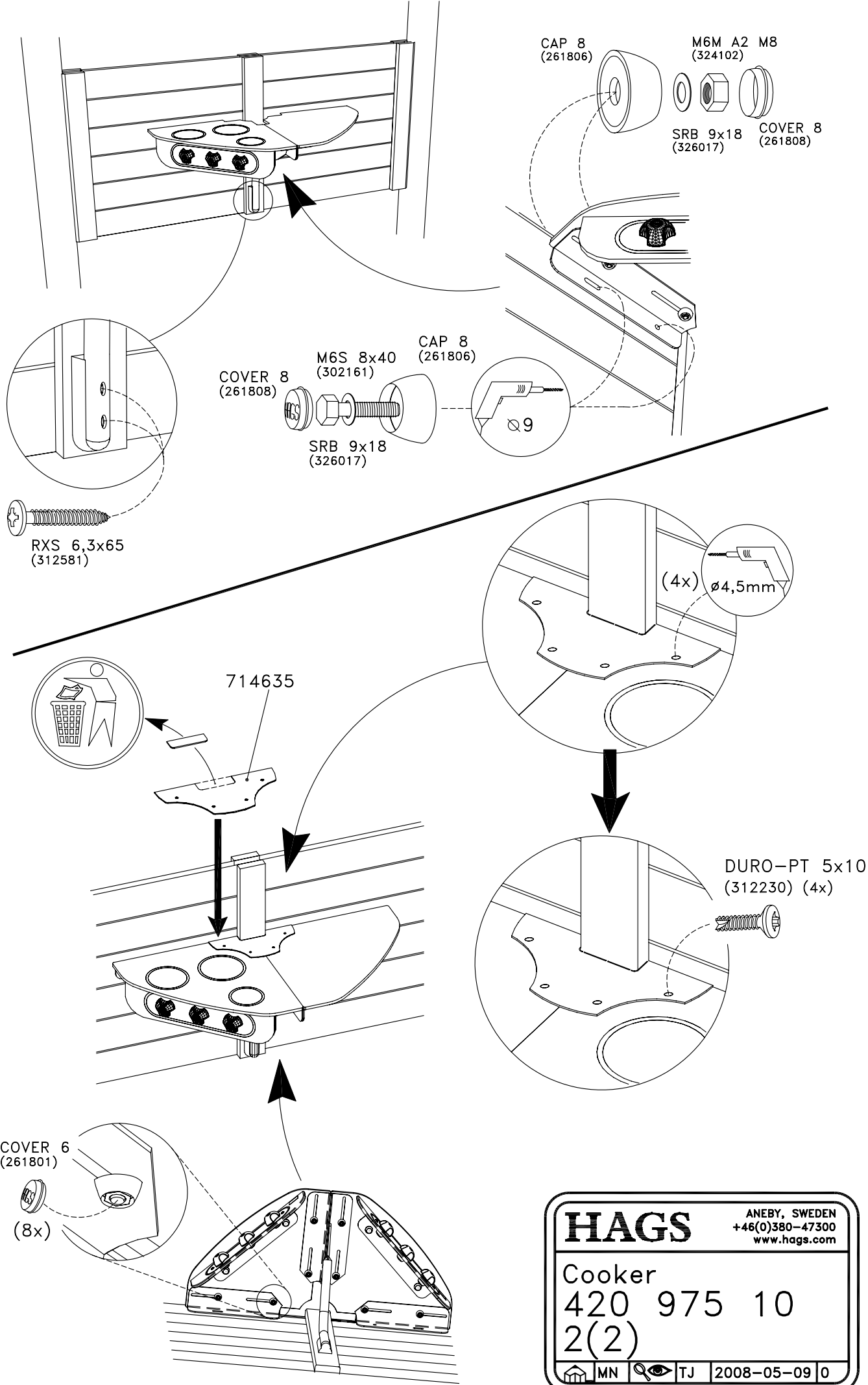
TYPE	HAGS.NO
 0,3x0,54m	418975-01
 0,3x0,54m	418976
	410649
 0,12x0,23m	714635



HAGS ANEBY, SWEDEN
+46(0)380-47300
www.hags.com

Cooker
420 975 10
1(2)

 MN  TJ 2008-05-09 0



HAGS		ANEBY, SWEDEN	
		+46(0)380-47300	
		www.hags.com	
Cooker			
420 975 10			
2(2)			
	MN		TJ
		2008-05-09	