

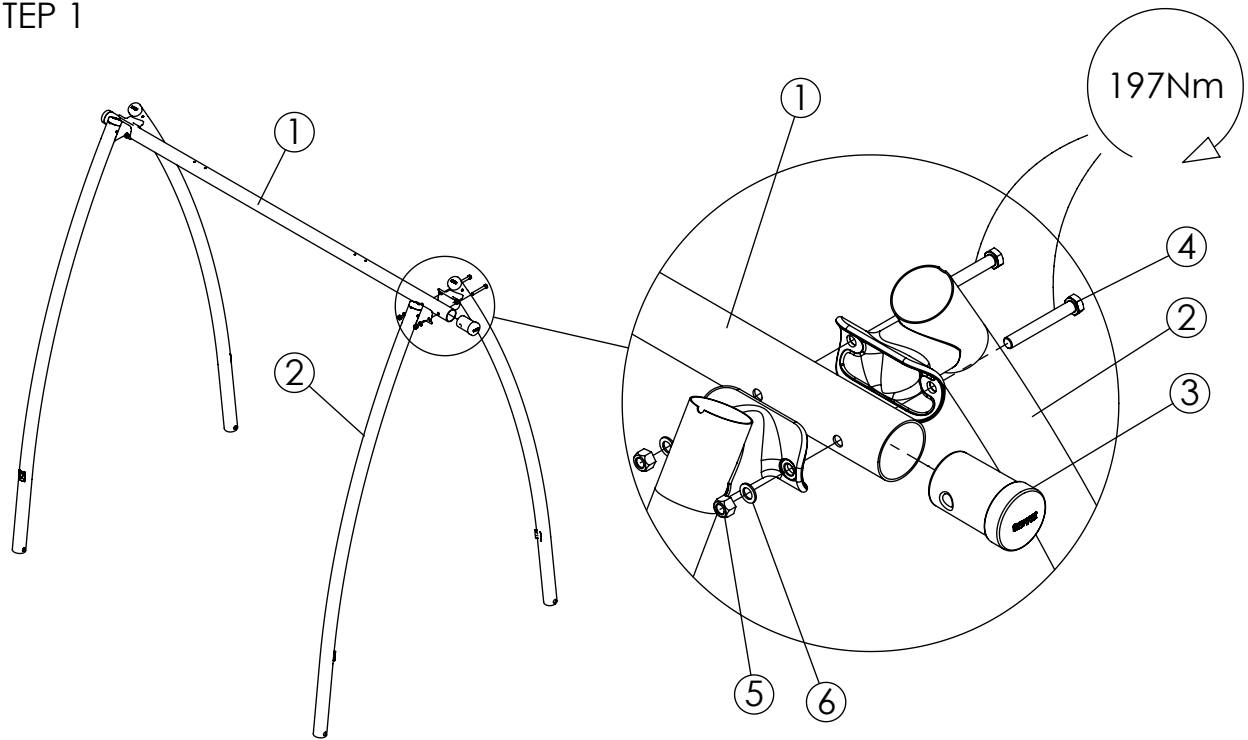
120

HAGS ANEBY, SWEDEN
+46(0)380-47300
www.hags.com

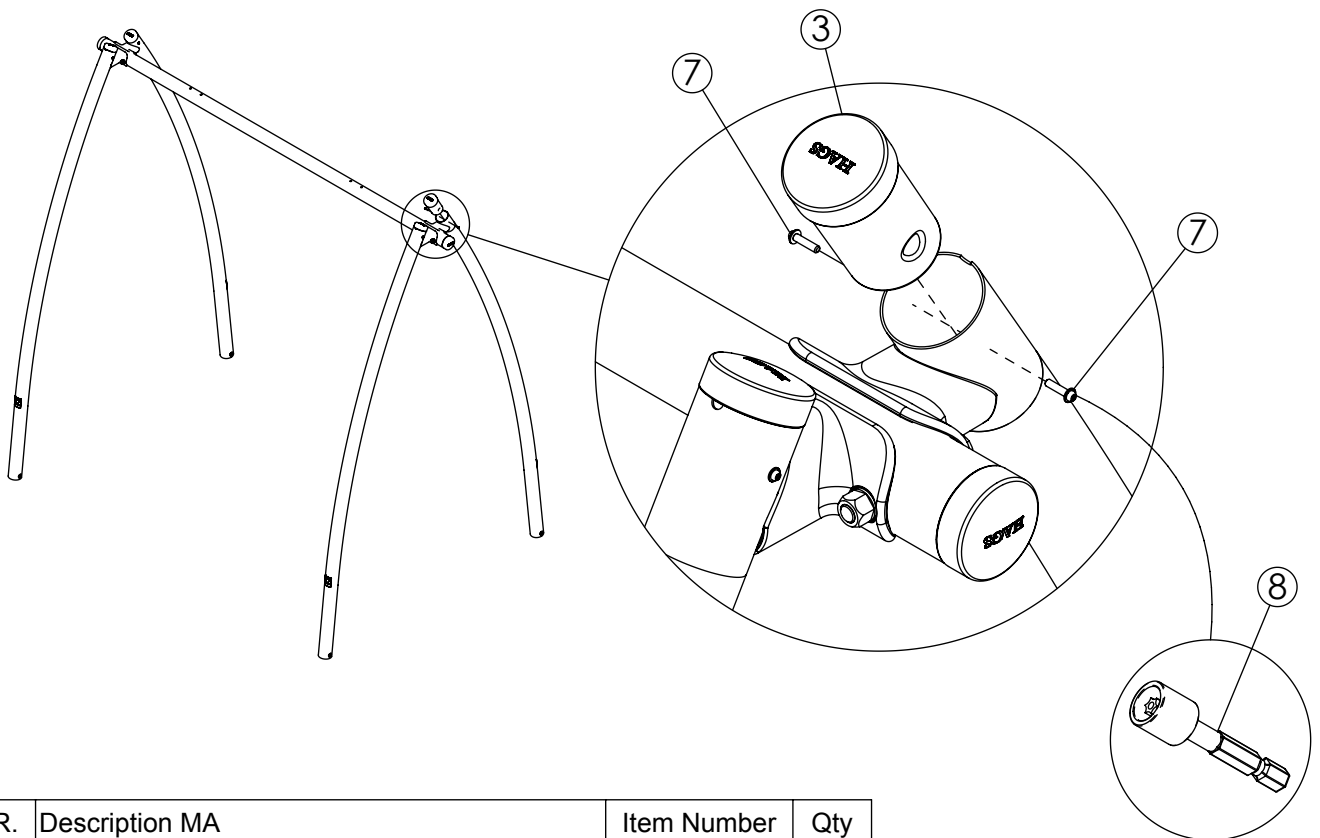
Omega Bravo CC
MASW51382
1 (3)

Tek 3 JOT 2016-04-12 4

STEP 1



STEP 2



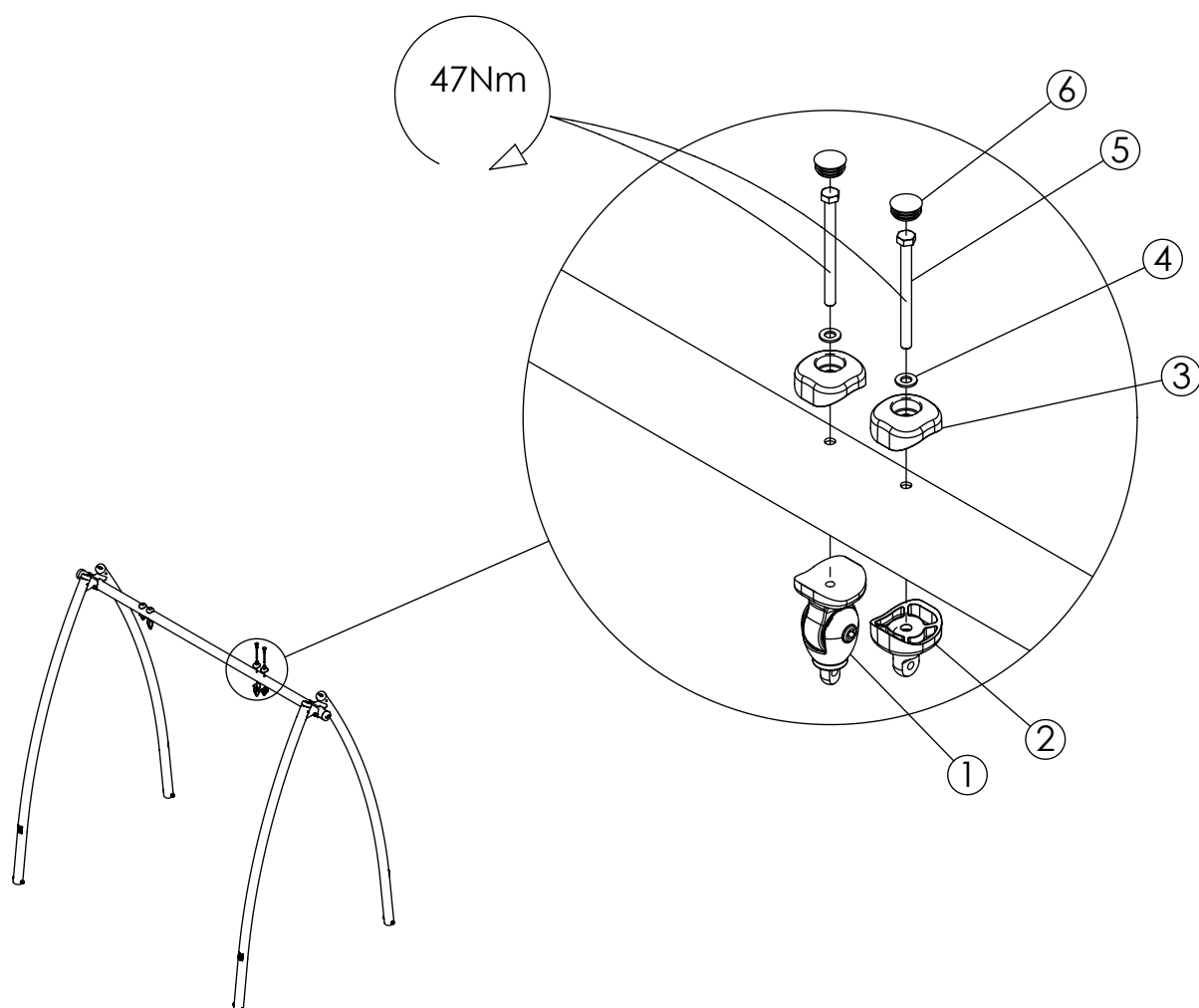
NR.	Description MA	Item Number	Qty
1	Beam bas module Bravo	8057680	1
2	Leg	8057744	4
3	End piece	8043004	6
4	M6S 8.8 M16x120	8057703	4
5	M6M -8 M16	8042812	4
6	Ø17x28x2,5	8058078	4
7	T-27 Torx 6x25mm	8008505	8
8	Bits T-27	8006003	1

HAGS ANEBY, SWEDEN
+46(0)380-47300
www.hags.com

**Omega Bravo CC
MASW51382
2 (3)**

TeK JOT 2016-04-12 4

STEP 3



NR.	Description MA	Item Number	Qty
1	Swing joint	8050617	2
2	Swing joint safety chain	8057567	2
3	Cover	8050617 8057567	4
4	Ø11x24x2	8050617 8057567	4
5	M6S M10x120 mm	8050617 8057567	4
6	Top cover	8050617 8057567	4

<h1>HAGS</h1> <p>Omega Bravo CC MASW51382 3 (3)</p>	ANEBY, SWEDEN +46(0)380- 47300 www.hags.com
	Tekniska JOT 2016-04-12 4