

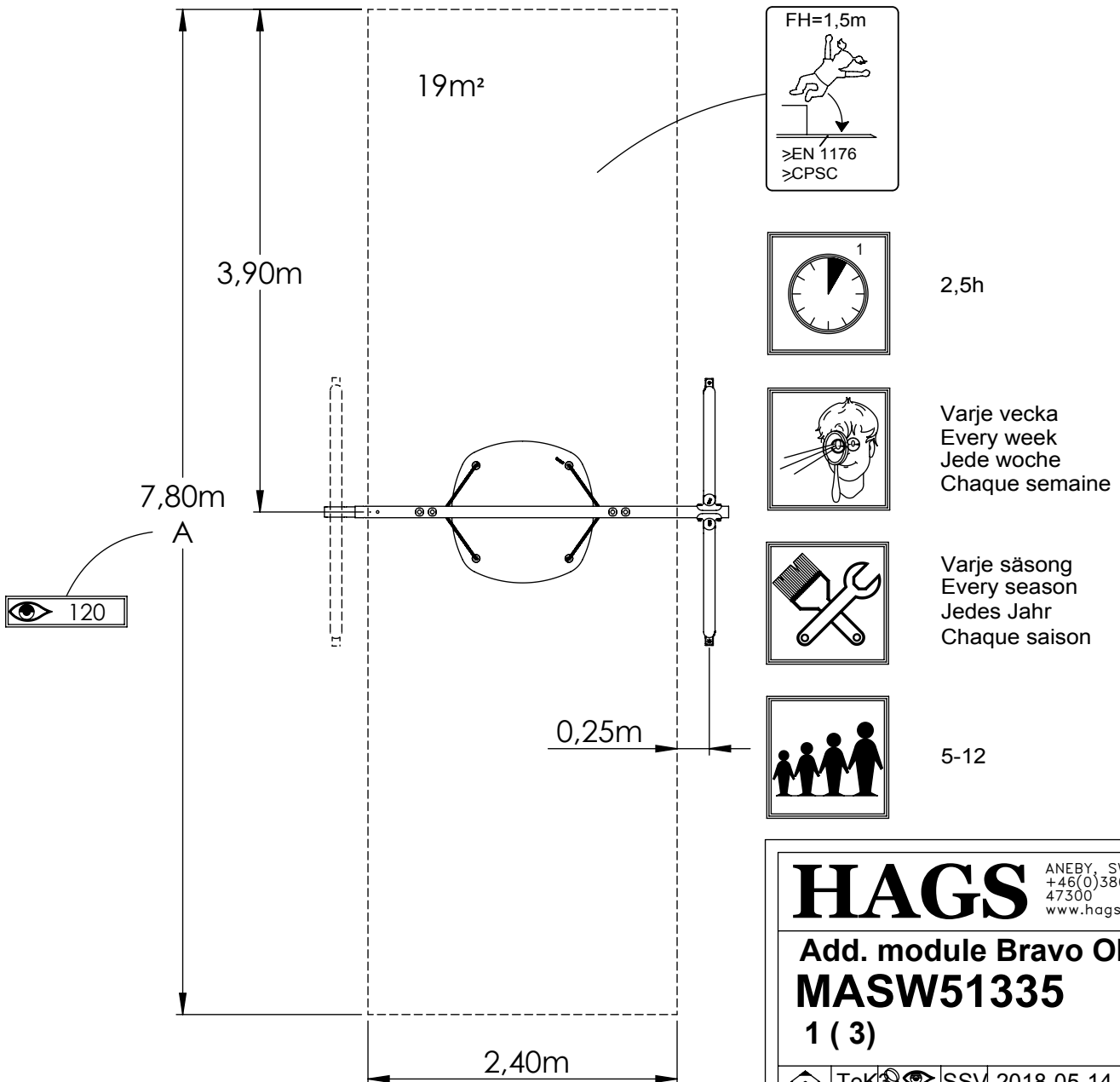
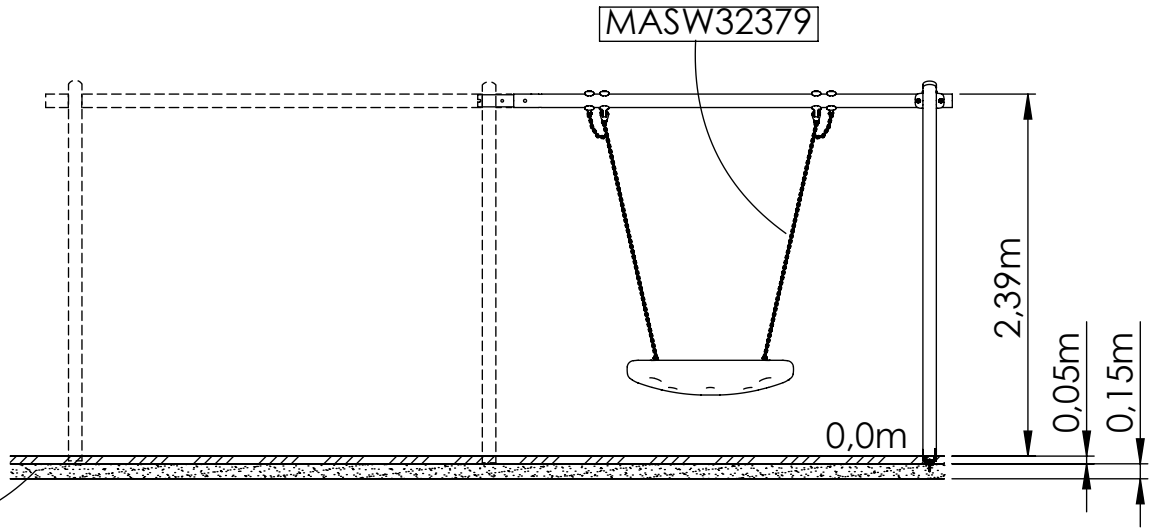


4x24h



>C20/25
S1-S3

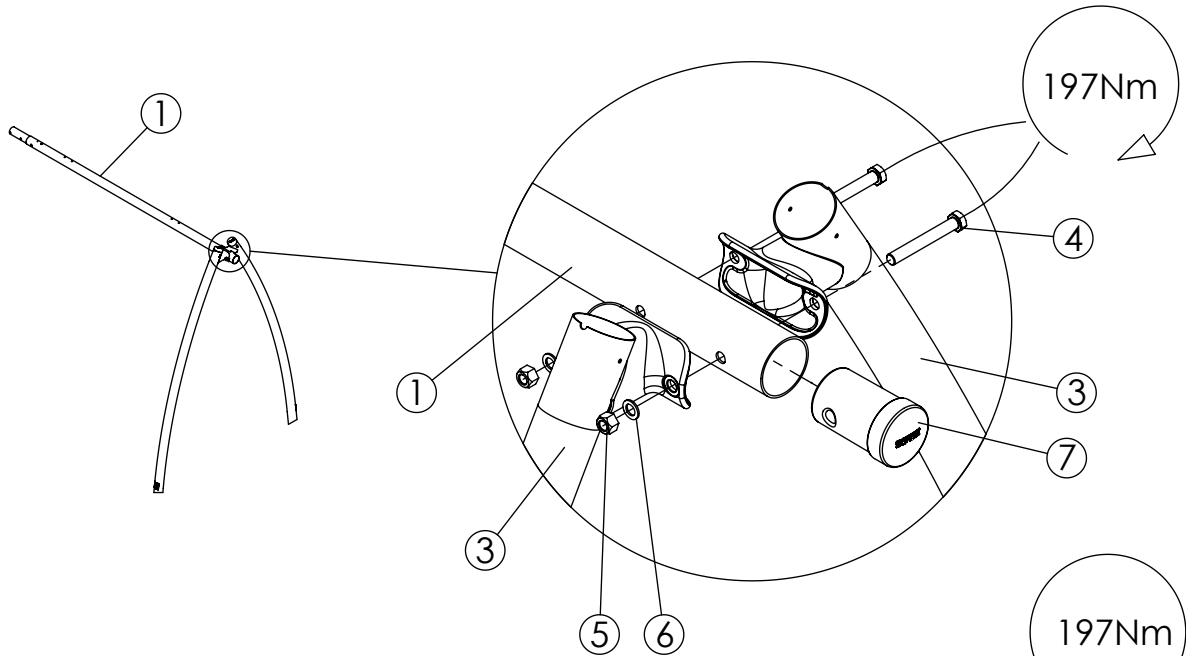
 101


HAGS ANEBY, SWEDEN
+46(0)380-47300
www.hags.com

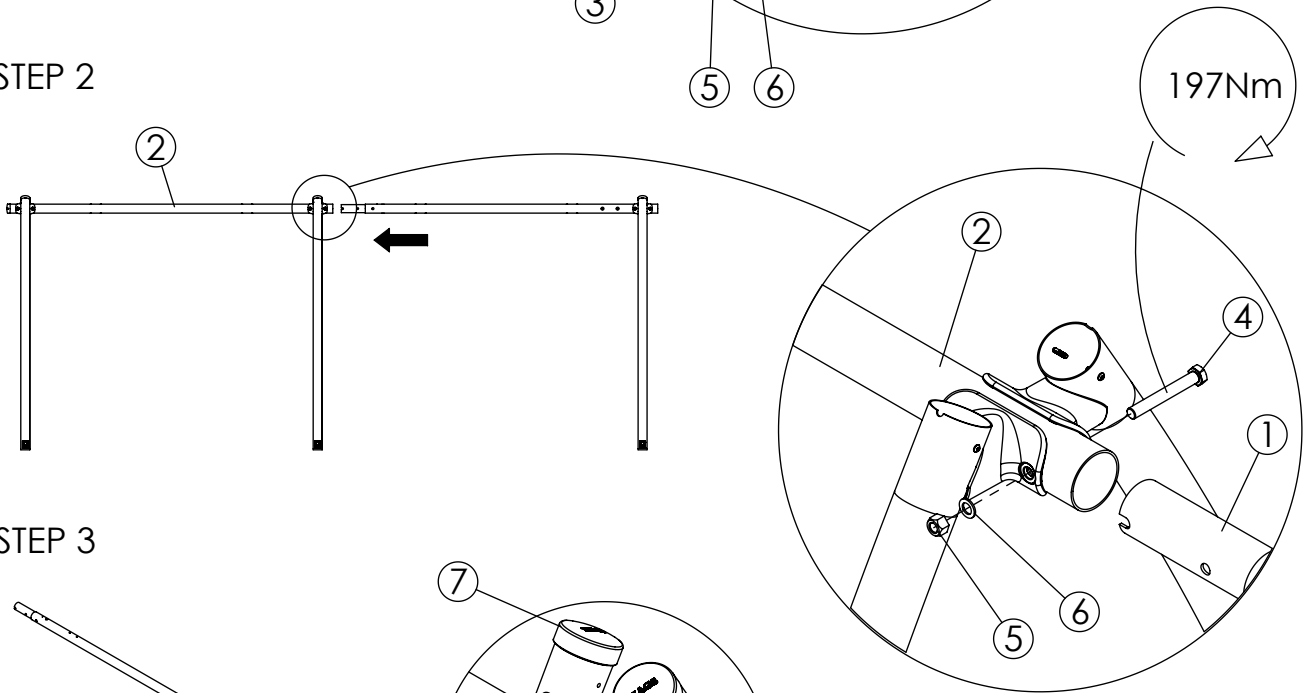
**Add. module Bravo OM
MASW51335
1 (3)**

Tek 3  SSV 2018-05-14 5

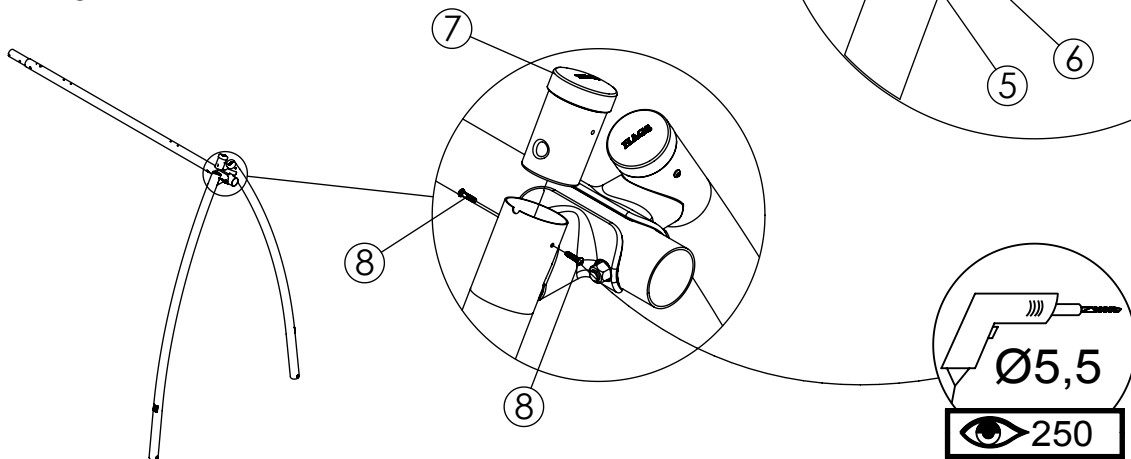
STEP 1



STEP 2



STEP 3



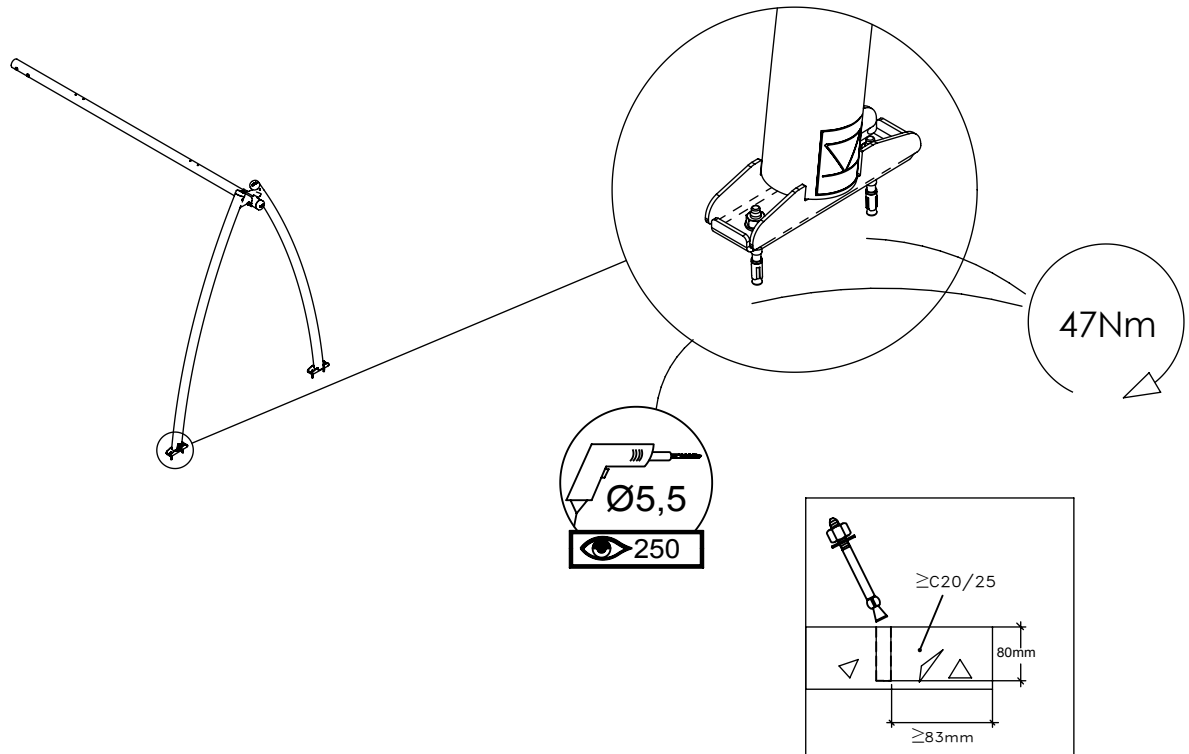
NR.	Description MA	Item Number	Qty
1	Beam additional module Bravo	8057737	1
2	Omega OM		1
3	Leg	8057666	2
4	M6S 8.8 M16x120	8057703	2
5	M6M -8 M16	8042812	2
6	Ø17x28x2,5	8058078	2
7	End piece	8043004	3
8	Screw, thr-forming M6x25-8.8-(ISO7380)	8027762	4

HAGS ANEBY, SWEDEN
+46(0)380-47300
www.hags.com

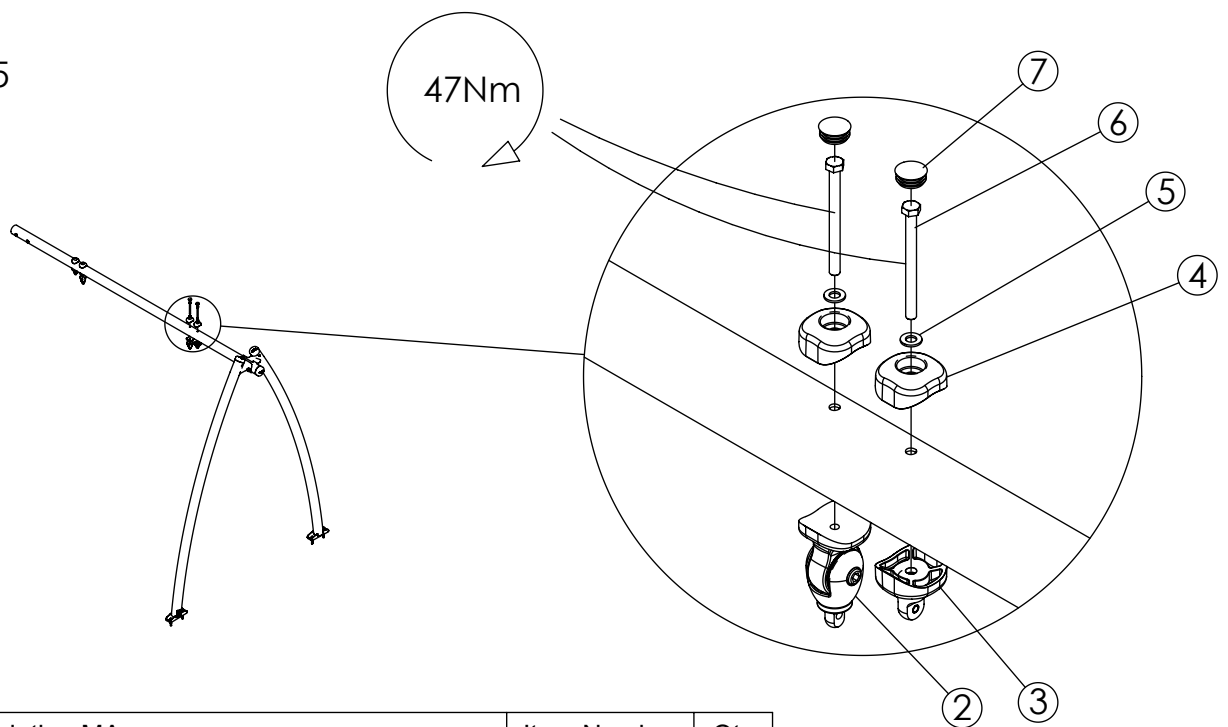
**Add. module Bravo OM
MASW51335
2 (3)**

TeK 3 SSV 2018-05-14 5

STEP 4



STEP 5



NR.	Description MA	Item Number	Qty
1	Wedge anchor M10x80	8008561	4
2	Swing joint	8050617	2
3	Swing joint safety chain	8057567	2
4	Cover	8050617 8057567	4
5	Ø11x24x2	8050617 8057567	4
6	M6S M10x120 mm	8050617 8057567	4
7	Top cover	8050617 8057567	4

HAGS ANEBY, SWEDEN
+46(0)380-47300
www.hags.com

**Add. module Bravo OM
MASW51335
3 (3)**

TeK SSV 2018-05-14 5