

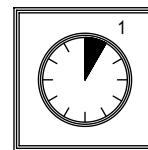
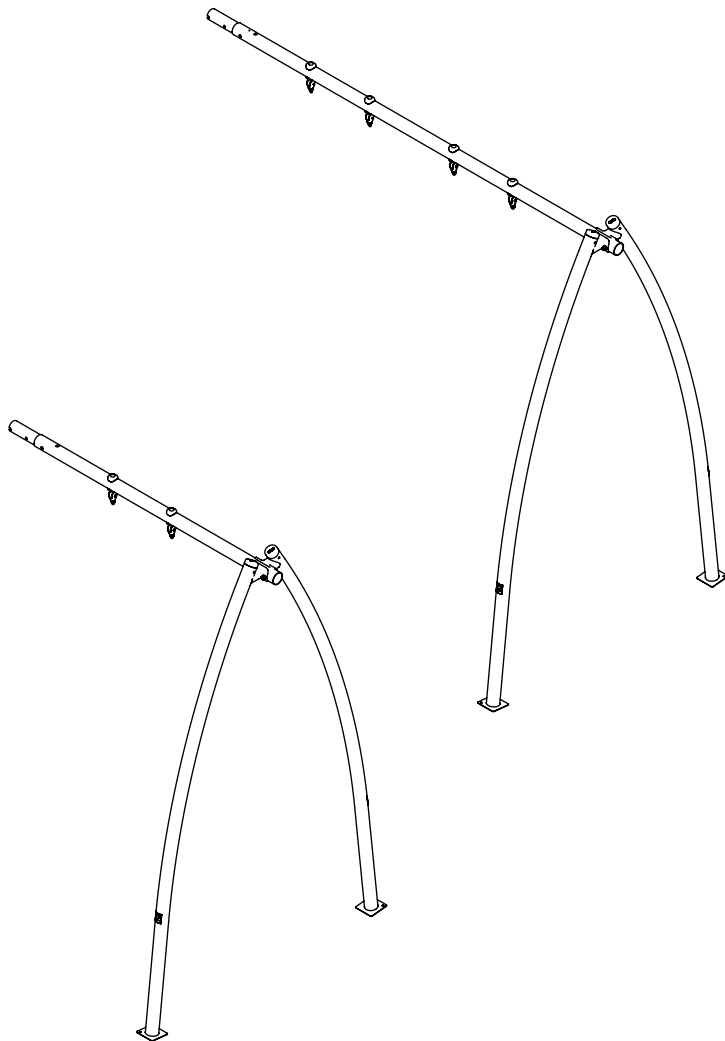
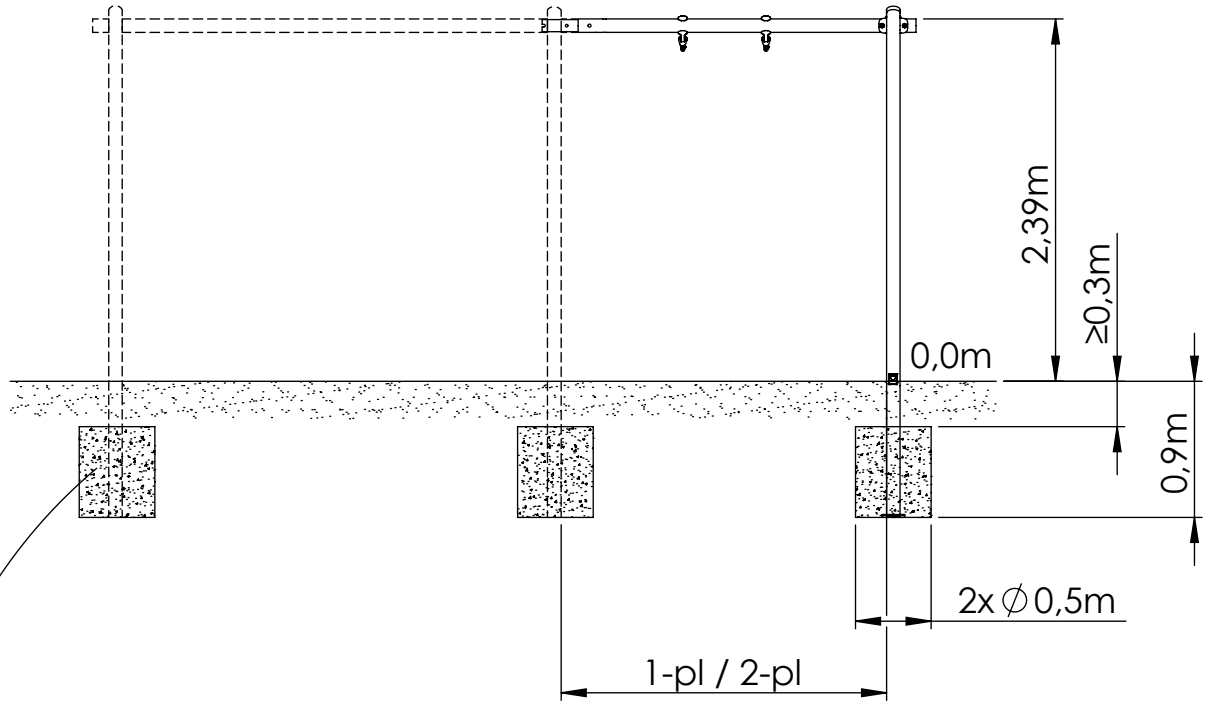


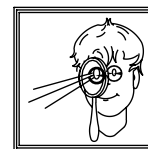
4x24h



≥C20/25
S1-S3

 101


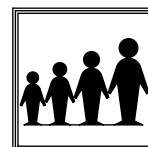
2,0h



Varje vecka
Every week
Jede woche
Chaque semaine



Varje säsong
Every season
Jedes Jahr
Chaque saison



2-12

HAGS

ANEBY, SWEDEN
+46(0)380-
47300
www.hags.com

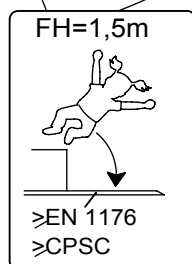
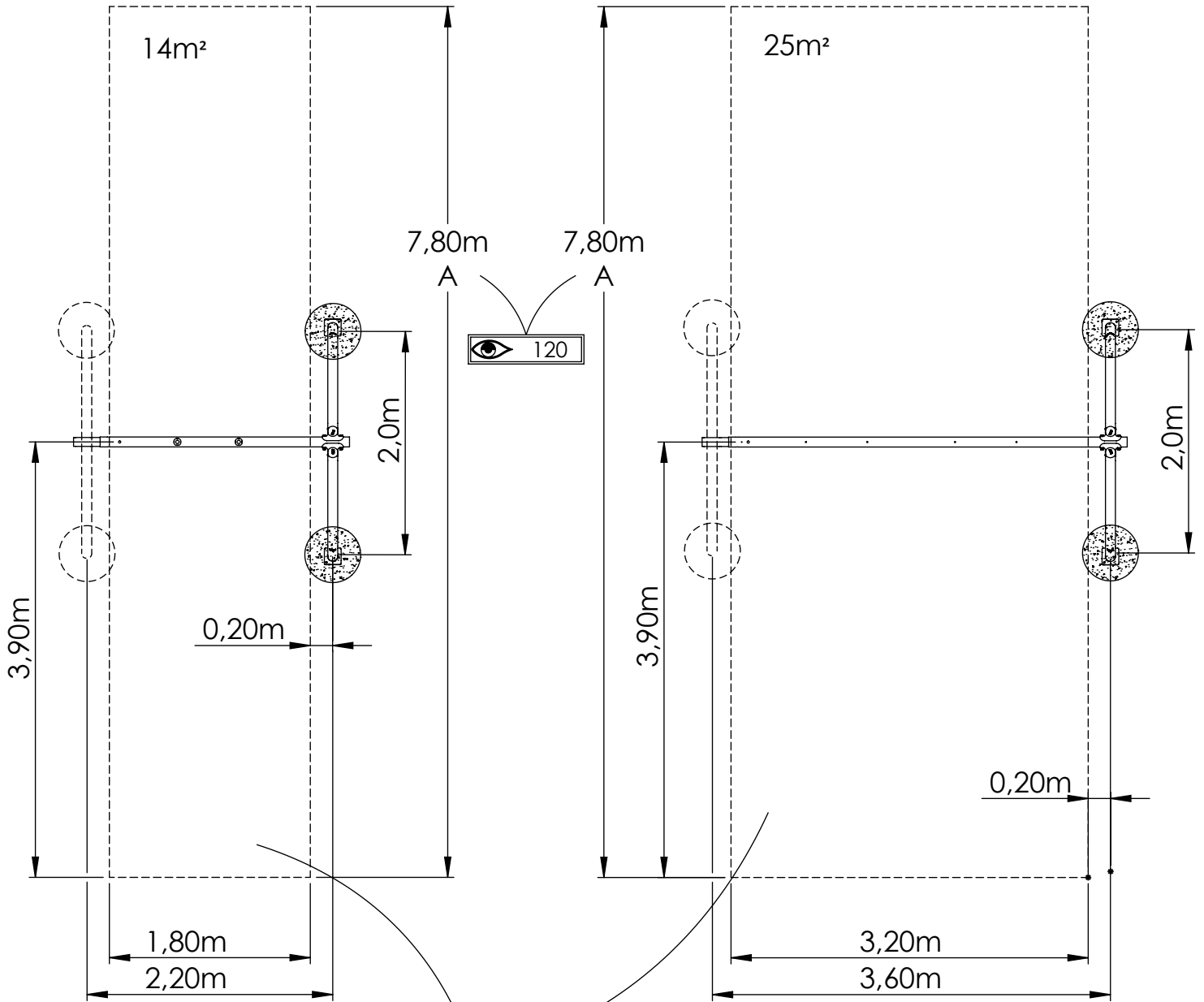
Omega add. module CC

MASW51391

1 (5)

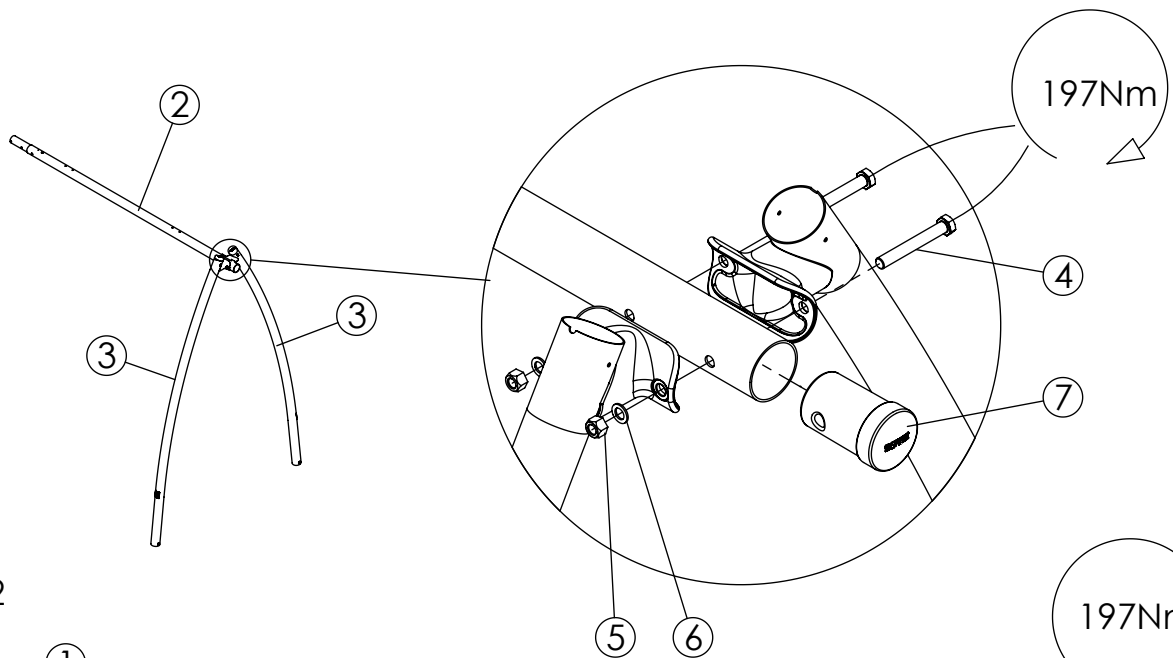
Additional module 1-pl

Additional module 2-pl

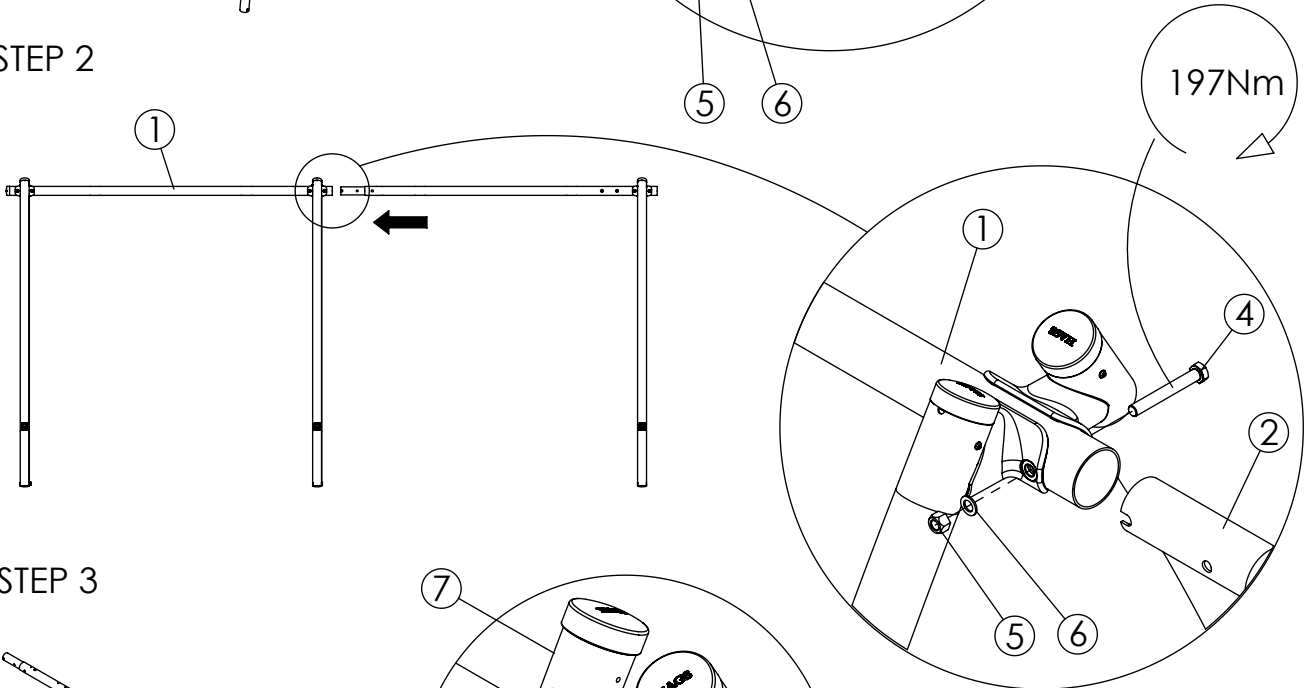


HAGS		ANEBY, SWEDEN +46(0)380-47300 www.hags.com	
Omega add. module CC			
MASW51391			
2 (5)			
	Tek		SSV 2018-05-14 4

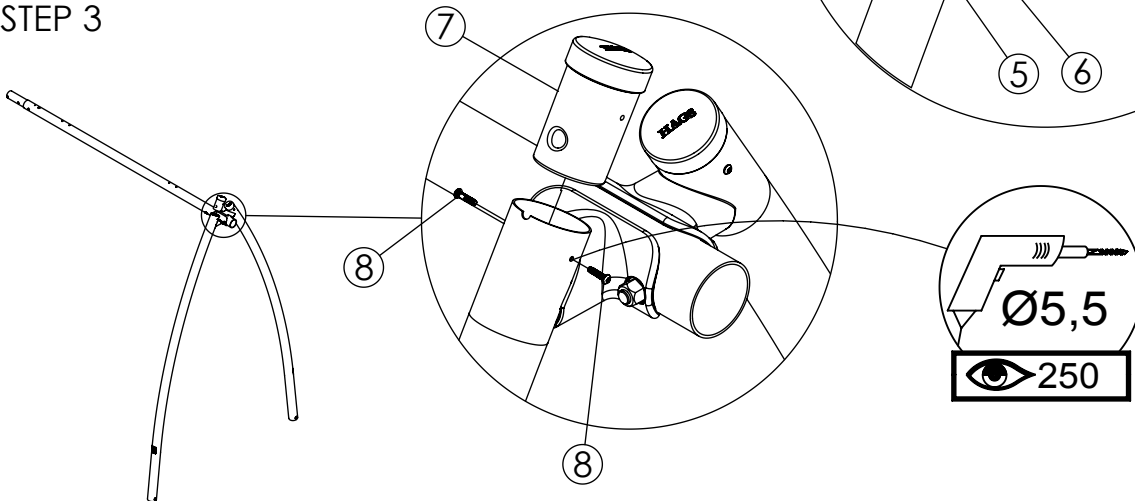
STEP 1



STEP 2



STEP 3



NR.	Description MA	Item Number	Qty
1	Omega		1
2	Beam Additional module	8057739 8057741	1
3	Leg	8057744	2
4	M6S 8.8 M16x120	8057703	2
5	M6M -8 M16	8042812	2
6	Ø17x28x2,5	8058078	2
7	End piece	8043004	3
8	KTS-GF M6x25	8027762	4

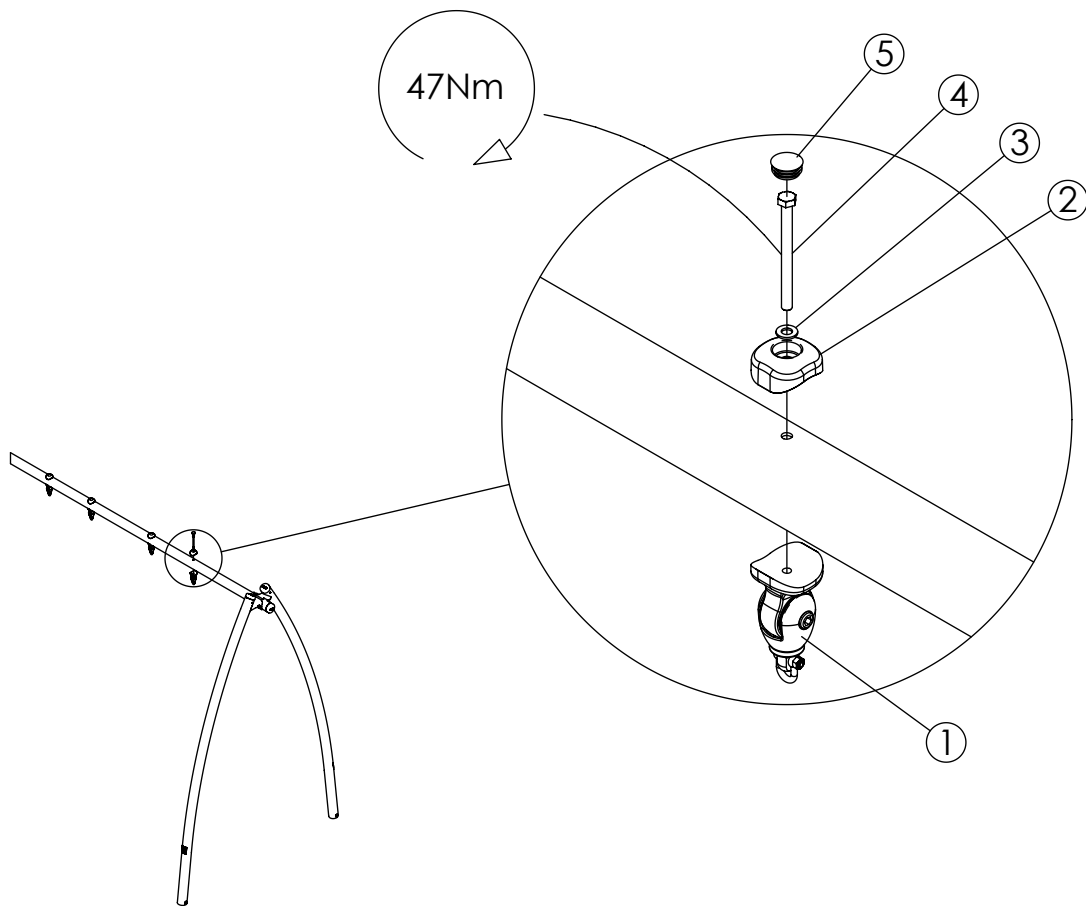
HAGS ANEBY, SWEDEN
+46(0)380-47300
www.hags.com

**Omega add. module CC
MASW51391
3 (5)**

TeK SSV 2018-05-14 4

Additional module 2-pl

STEP 4



NR.	Description MA	Item Number	Qty
1	Swing joint	8050617	4
2	Cover	8050617	4
3	Ø11x24x2	8050617	4
4	M6S M10x120 mm	8050617	4
5	Top cover	8050617	4

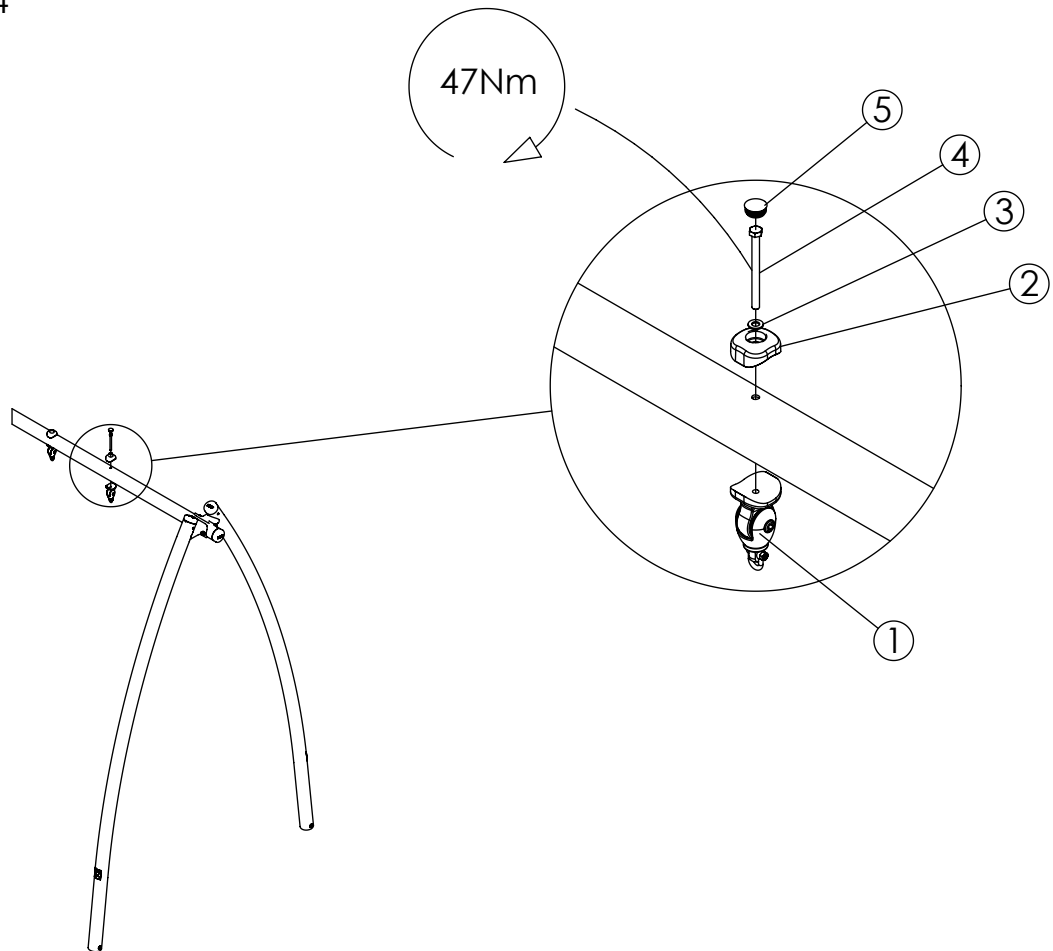
HAGS ANEBY, SWEDEN
+46(0)380-47300
www.hags.com

**Omega add. module CC
MASW51391
4 (5)**

Tek 3 SSV 2018-05-14 4

Additional module 1-pl

STEP 4



NR.	Description MA	Item Number	Qty
1	Swing joint	8050617	2
2	Cover	8050617	2
3	Ø11x24x2	8050617	2
4	M6S M10x120 mm	8050617	2
5	Top cover	8050617	2

<h1>HAGS</h1>	ANEBY, SWEDEN +46(0)380- 47300 www.hags.com
	Omega add. module CC MASW51391 5 (5)
	Tekniska SSV 2018-05-14 4