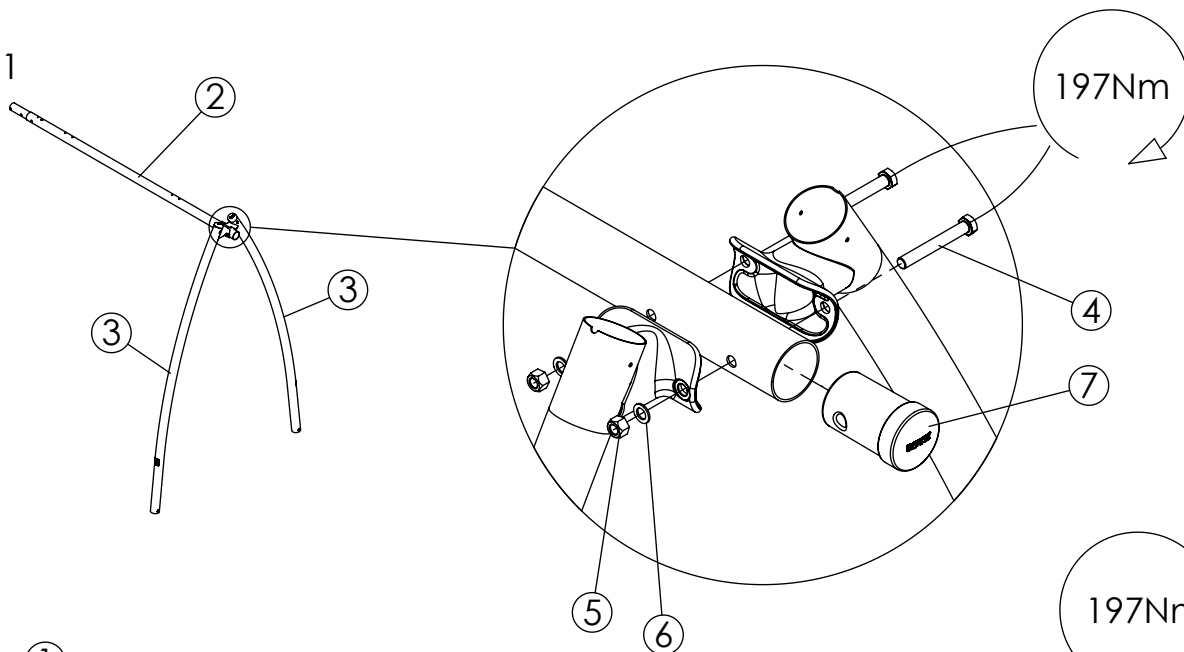
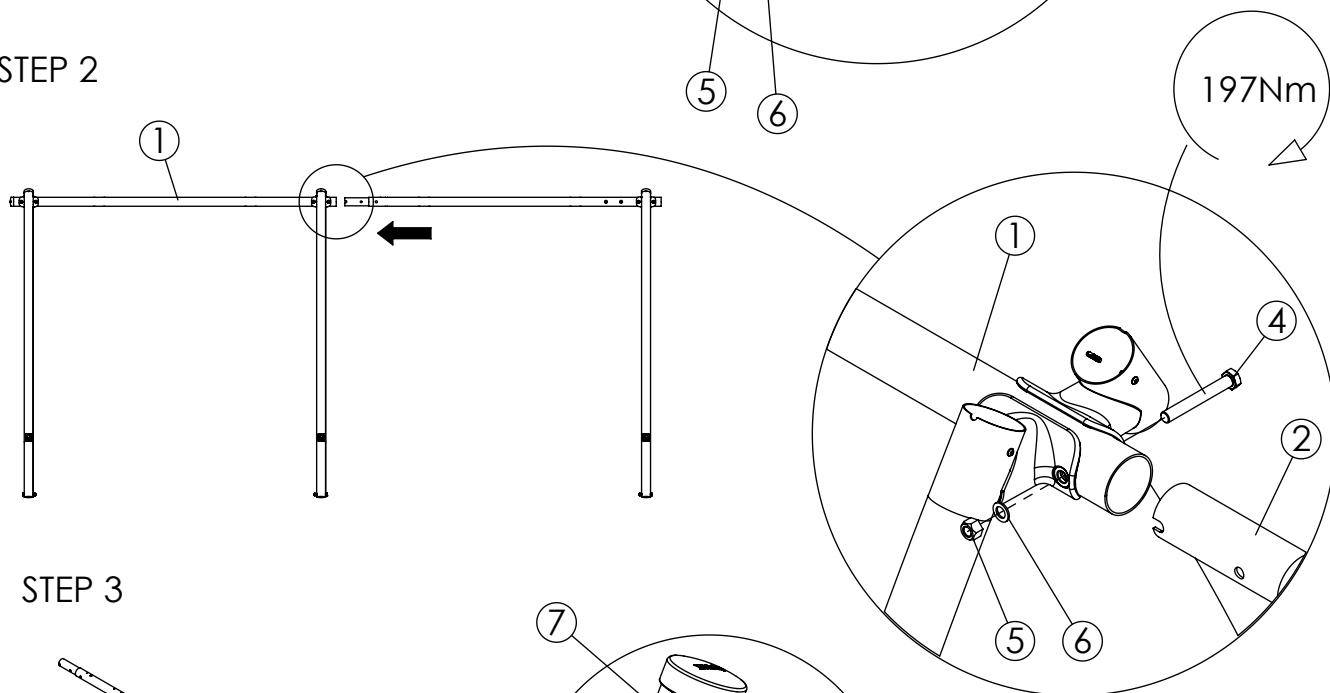


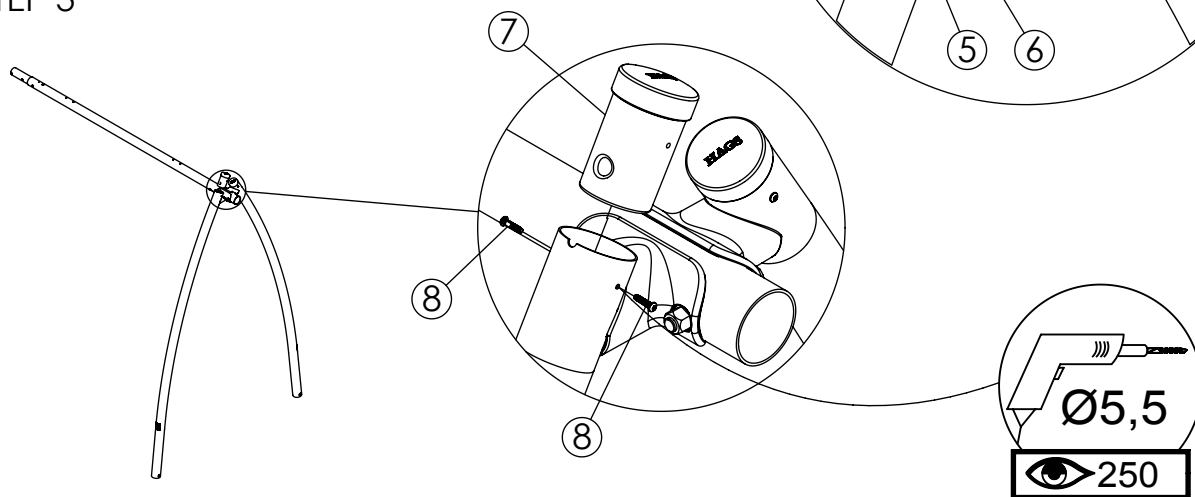
STEP 1



STEP 2



STEP 3



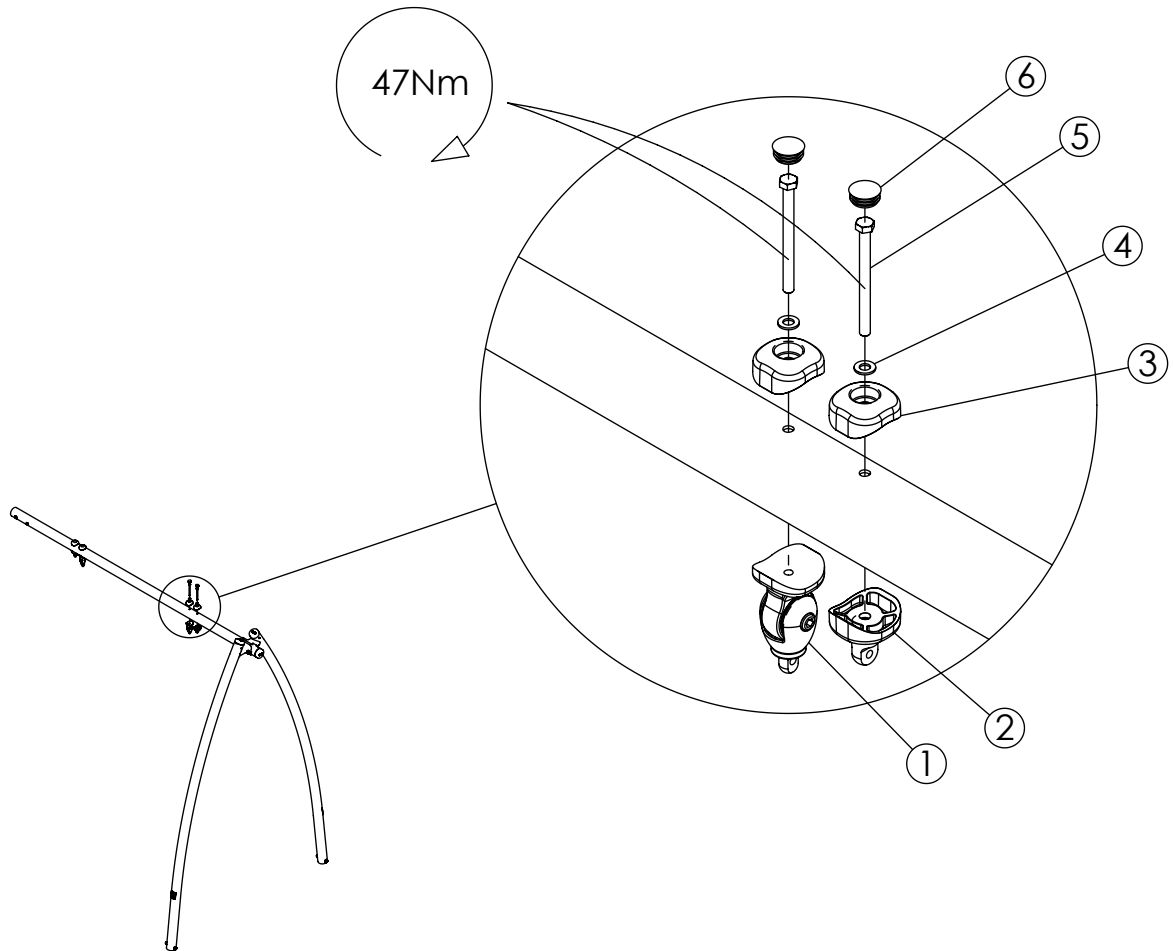
NR.	Description MA	Item Number	Qty
1	Omega		1
2	Beam additional module Bravo	8057737	1
3	Leg	8057744	2
4	M6S 8.8 M16x120	8057703	2
5	M6M -8 M16	8042812	2
6	Ø17x28x2,5	8058078	2
7	End piece	8043004	3
8	Screw, thr-forming M6x25-8.8-(ISO7380)	8027762	4

**HAGS** ANEBY, SWEDEN  
+46(0)380-47300  
www.hags.com

**Add. module Bravo CC  
MASW51383  
2 ( 3 )**

TeK SSV 2018-05-18 5

STEP 4



NR.	Description MA	Item Number	Qty
1	Swing joint	8050617	2
2	Swing joint safety chain	8057567	2
3	Cover	8050617 8057567	4
4	Ø11x24x2	8050617 8057567	4
5	M6S M10x120 mm	8050617 8057567	4
6	Top cover	8050617 8057567	4

**HAGS** ANEBY, SWEDEN  
+46(0)380-47300  
www.hags.com

**Add. module Bravo CC  
MASW51383  
3 ( 3 )**